

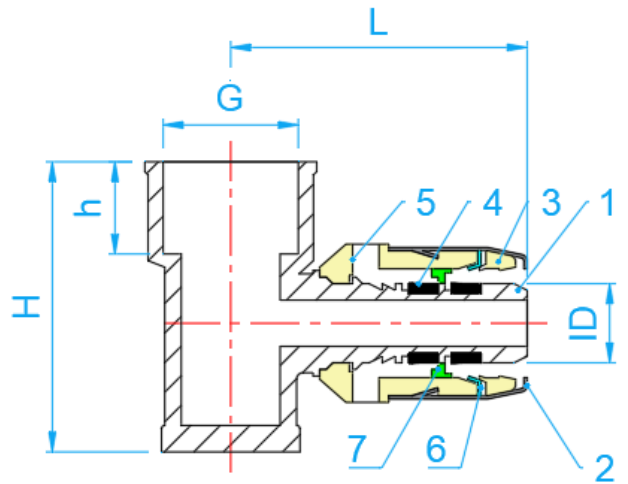
PEX MULTI LAYER PIPES AND FITTINGS



COMPLY WITH BS EN ISO 21003-1:2008
 BS EN ISO 21003-3:2008
 BS EN ISO 21003-5:2008
 AS/NZS 4020:2005
 SS 375:2015



F6 PUSH-FIT PEX FI WALLPLATE ELBOW



SECTION VIEW

COMPONENT PARTS

ITEM	PARTS	MATERIAL
1	Body	DZR Brass
2	Collet Retainer	AISI304
3	Spacer	POM
4	Seal Ring	EPDM
5	Collet	PPSU (Polyphenylene Sulfone Resin)
6	Grab Ring	AISI316
7	Indicator Ring	HDPE (High Density Polyethylene)

DIMENSIONS

SKU	SIZE (mmxinch)	ID (mm)	h (mm)	L (mm)	H (mm)	WEIGHT (kg)	PCS/CTN
PEXF6FE016	16X1/2"	11.80	15	47	43	0.082	144
PEXF6FE02016	20X1/2"	15.80	15	48	43	0.127	120